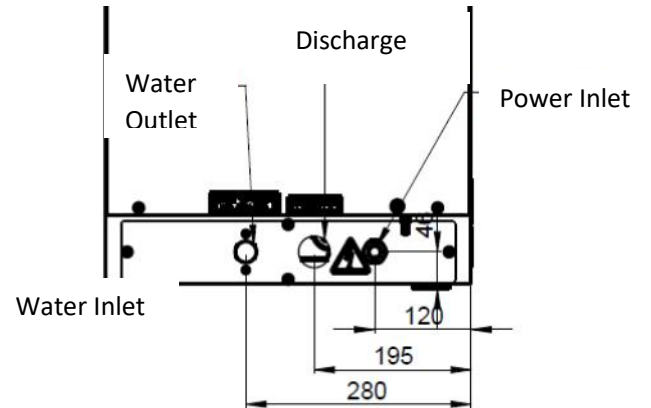
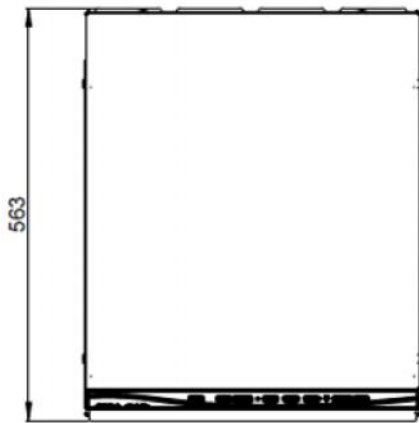
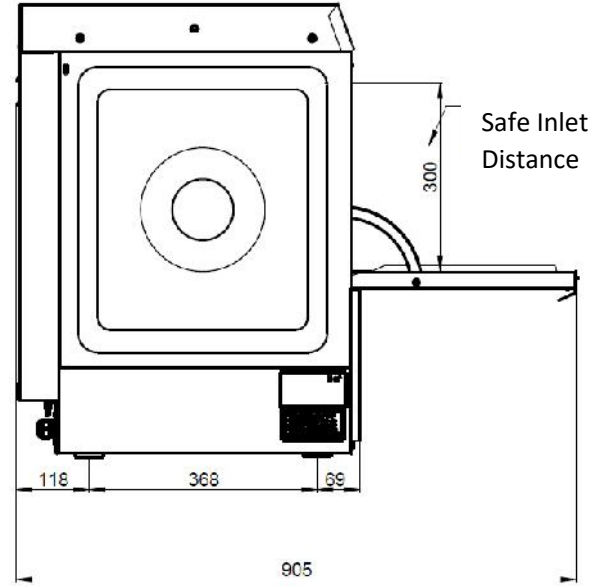
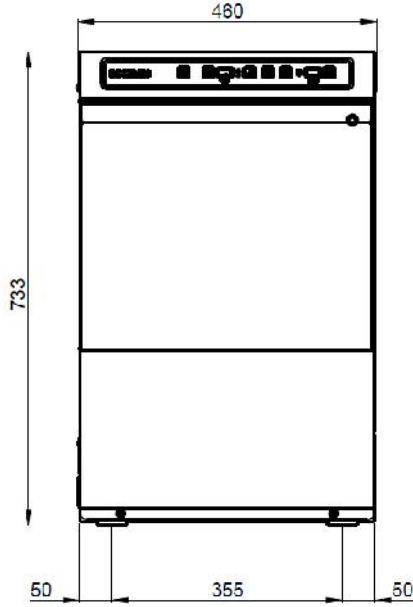


İNOKSAN

BYM042

UNDERCOUNTER DISHWASHER



SAYFA 1-2

UNDERCOUNTER
DISHWASHER BYM042

ÜR- BYM042

İNOKSAN A.Ş.

Revision Nr : 1

Revision Date : 22.09.2021

Organize Sanayi Bölgesi Ormanlar CD. No:5 16159 Nilüfer/BURSA inoksan@inoksan.com.tr T. +90 224 294 74 74 - F. +90 224 243 61 23

GENERAL SPECIFICATIONS

- * Suitable for undercounter installation
- * Controlled by electronic card
- * Digital displays indicating the temperatures of washing and rinsing water
- * Easy to dismount and mount washing / rinsing arms and filters for cleaning purposes,
- * Safety system to stop the operation when the door is opened ,
- * Rack dimensions 400 x 400 mms
- * Safety thermostats of the tank and the boiler ,
- * AISI 304 Cr-Ni S/S
- * Complete with 1 pc glass rack
- * Equipped with rinsing aid pump.
- * When necessary, the possibility of installing rinsing pump (where water pressure is not sufficient) and drain pump where the level of drain is high ,
- * Optional rinsing, draining and detergent pumps
- * Lower water level in the tank controlled by prosesstat automatically while upper water level controlled by electronically ,
- * Starting the machine through door .

TECHNICAL FEATURES

Water inlet	3/4	inches
Water pressure	2-4	Bar
Power inlet	230-50	V-Hz.
Washing Motor Power	0,25	kW
Max. Electric Power	4,15	kW
Frequency	50	Hz
Water Consumption	2,7	Lt/cyc
Tank Power	1,2	kW
Boiler Power	2,6	kW
Washing Temperature	55	°C
Rinsing Temperature	85	°C
Water Inlet Temperature	50-55	°C
Boiler Volume	2,7	lts
Tank Water Volume	13	lts
Rack Capacity	40	pcs/h
Glass Capacity	600-800	pcs/h
Program Number	3	pcs
Short Program	90	Secs.
Medium Program	120	secs
Long Program	180	secs
Cable cross section	3x2,5	mm2
Weight	39	kgs
Rinsing Motor Power	0,33	kW
Draining Motor Power	31	watts
Detergent Pump Power	8	watts
Rinsing Aid Pump Power	8	watts