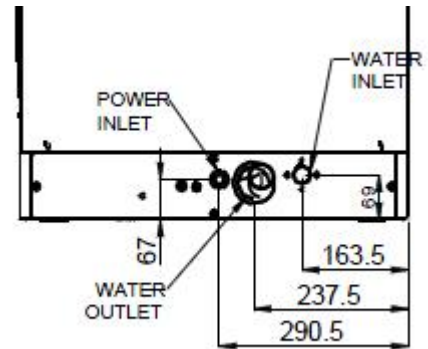
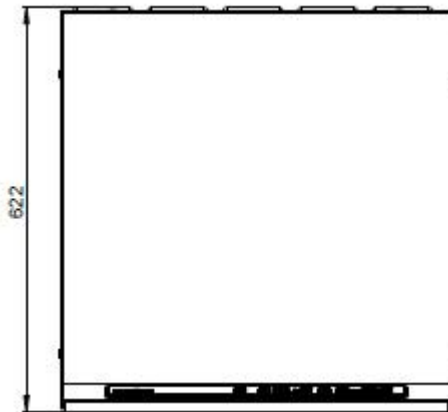
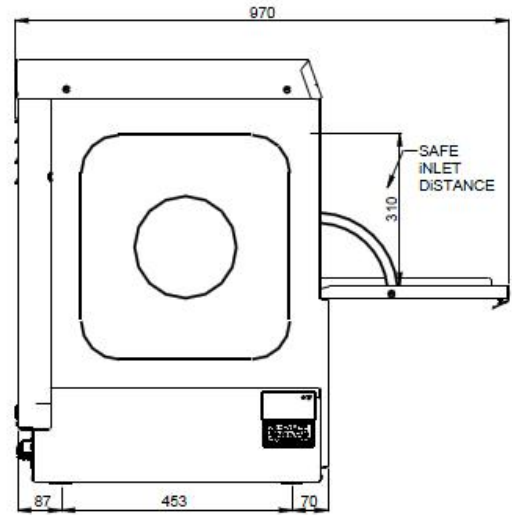
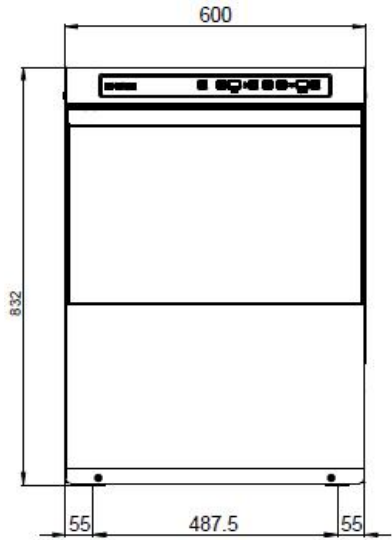


# İNOKSAN

## BYM52 UNDERCOUNTER DISHWASHER



## GENERAL FEATURES

- \* Suitable for undercounter installation
- \* Controlled by electronic card
- \* Digital displays indicating the temperature of washing and rinsing water
- \* Easy to dismount and mount washing / rinsing arms and filters for cleaning purposes,
- \* Safety system to stop the operation when the door is opened,
- \* Rack dimensions 500x500 mms.
- \*Temperature safety thermostats of tank and boiler ,
- \* AISI 304 Cr-Ni S/S
- \* Complete with 1 pc glass rack
- \*1 pc plate rack
- \* Rinsing pump included to the machine.
- \*When necessary, possibility to install rinsing pump where the water pressure is not sufficient and drain pump where the level of drain is high ,
- \* Optional rinsing, detergent and draining pumps .
- \*Water level in the tank controlled by presostat automatically ,
- \*Starting the machine through door .

## TECHNICAL SPECIFICATIONS

Water inlet	3/4	inches
Water pressure	2-4	Bar
Power inlet	230-50 208 -60	V-Hz.
Washing Motor Power	0,45	kW
Max. Electric Power	4,95	kW
Frequency	50-60	Hz
Water consumption	3	Lt/cyc
Tank Power	2,7	kW
Boiler Power	4,5	kW
Washing temperature	55	°C
Rinsing temperature	85	°C
Water Inlet Temperature	45-55	°C
Boiler Volume	6	lts
Tank Water Volume	20	lts
Plate Capacity	540	pcs/h
Rack Capacity	40	pcs/h
Glass Capacity	1440	pcs/h
Tray Capacity	360	pcs/h
Max. Plate Diameter	320	mms
Plate Height	280	mms
Program Number	3	pcs
Short Program	90	sec
Medium Program	120	sec
Long Program	180	sec
Cable cross section	3x2,5	mm2
Weight	50	kgs
Rinsing Motor Power	0,33	kW
Draining Motor Power	31W 50Hz. / 37W 60Hz.	watts
Detergent Pump Power	8	watts
Rinsing Aid Pump Power	8	watts

