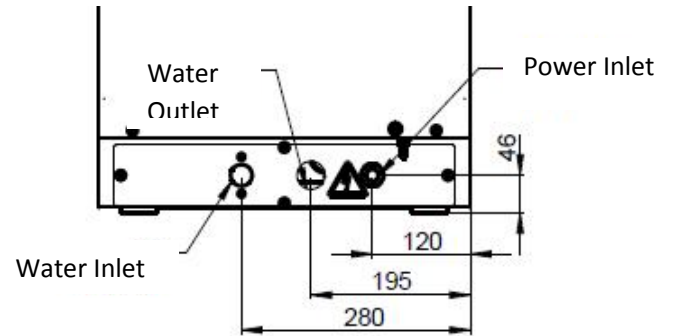
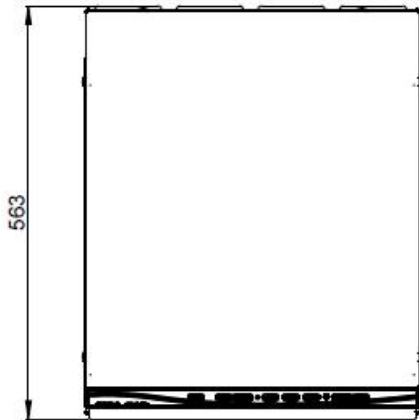
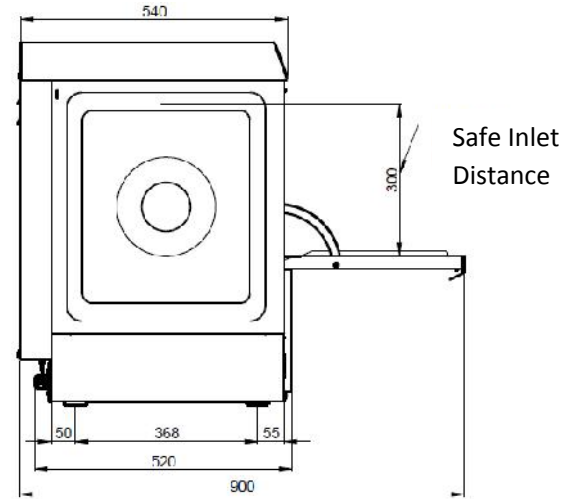
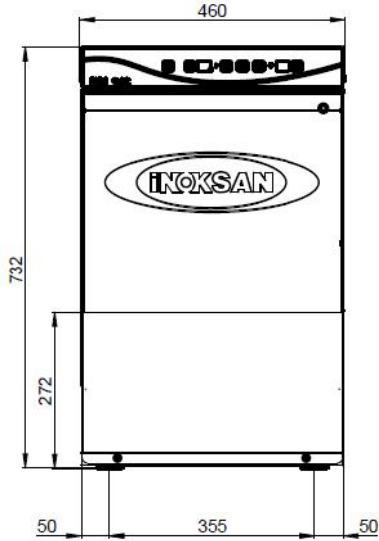


# İNOKSAN

BYM042

UNDERCOUNTER DISHWASHER



## GENERAL SPECIFICATIONS

- \* Suitable for undercounter installation
- \* Controlled by electronic card
- \* Digital displays indicating the temperatures of washing and rinsing water
- \* Easy to dismount and mount washing / rinsing arms and filters for cleaning purposes,
- \* Safety system to stop the operation when the door is opened ,
- \* Rack dimensions 400 x 400 mms
- \* Safety thermostats of the tank and the boiler ,
- \* AISI 304 Cr-Ni S/S
- \* Complete with 1 pc glass rack
- \* Equipped with rinsing aid pump.
- \* When necessary, the possibility of installing rinsing pump (where water pressure is not sufficient ) and drain pump where the level of drain is high ,
- \* Optional rinsing, draining and detergent pumps
- \* Lower water level in the tank controlled by prosesstat automatically while upper water level controlled by electronically ,
- \* Starting the machine through door .

## TECHNICAL FEATURES

Water inlet	3/4	inches
Water pressure	2-4	Bar
Power inlet	230-50	V-Hz.
Washing Motor Power	0,25	kW
Max. Electric Power	4,15	kW
Frequency	50	Hz
Water Consumption	2,7	Lt/cyc
Tank Power	1,2	kW
Boiler Power	2,6	kW
Washing Temperature	55	°C
Rinsing Temperature	85	°C
Water Inlet Temperature	50-55	°C
Boiler Volume	2,7	lts
Tank Water Volume	13	lts
Rack Capacity	40	pcs/h
Glass Capacity	600-800	pcs/h
Program Number	3	pcs
Short Program	90	Secs.
Medium Program	120	secs
Long Program	180	secs
Cable cross section	3x2,5	mm <sup>2</sup>
Weight	39	kgs
Rinsing Motor Power	0,33	kW
Draining Motor Power	31	watts
Detergent Pump Power	8	watts
Rinsing Aid Pump Power	8	watts